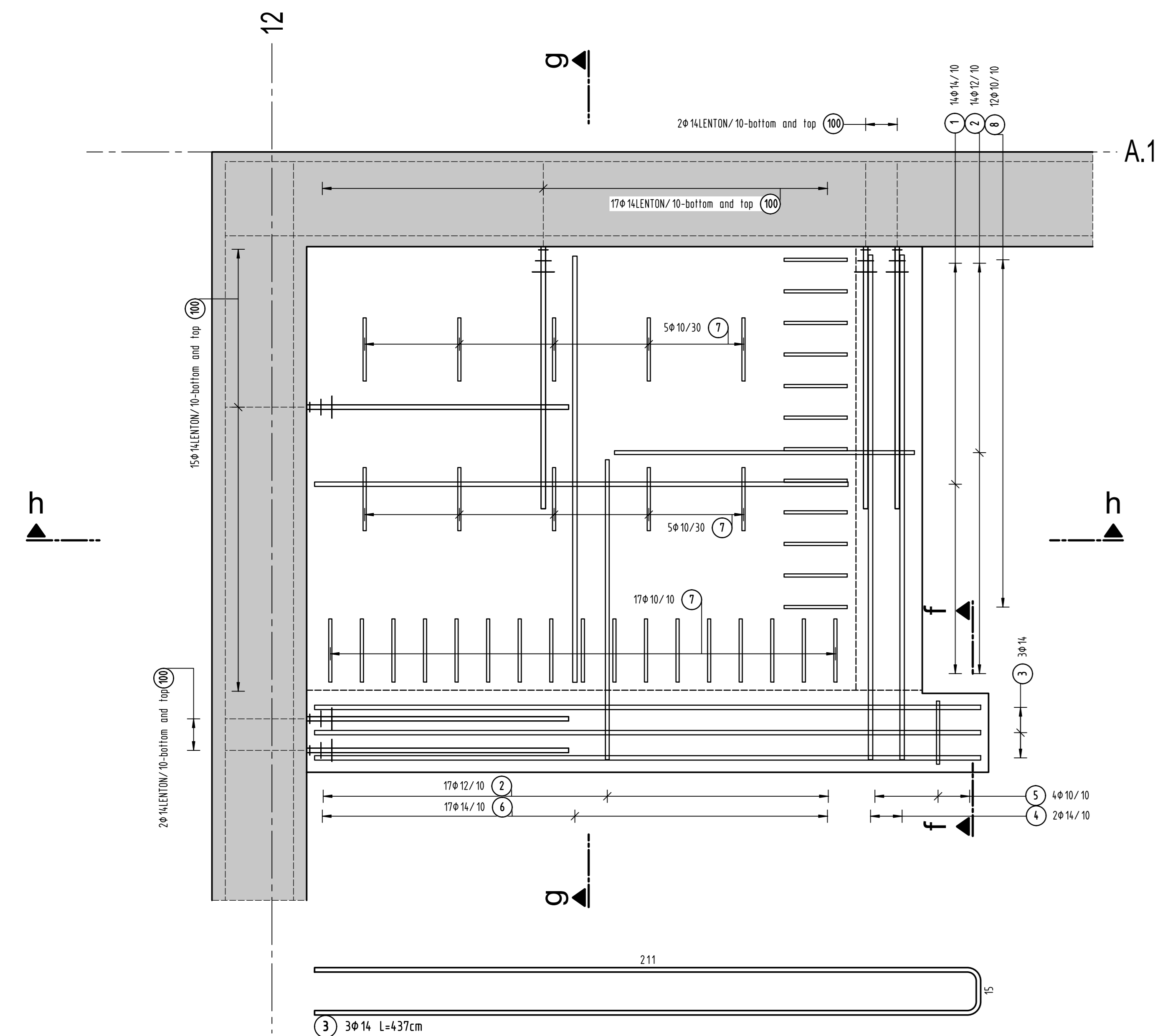


landing slab level +1

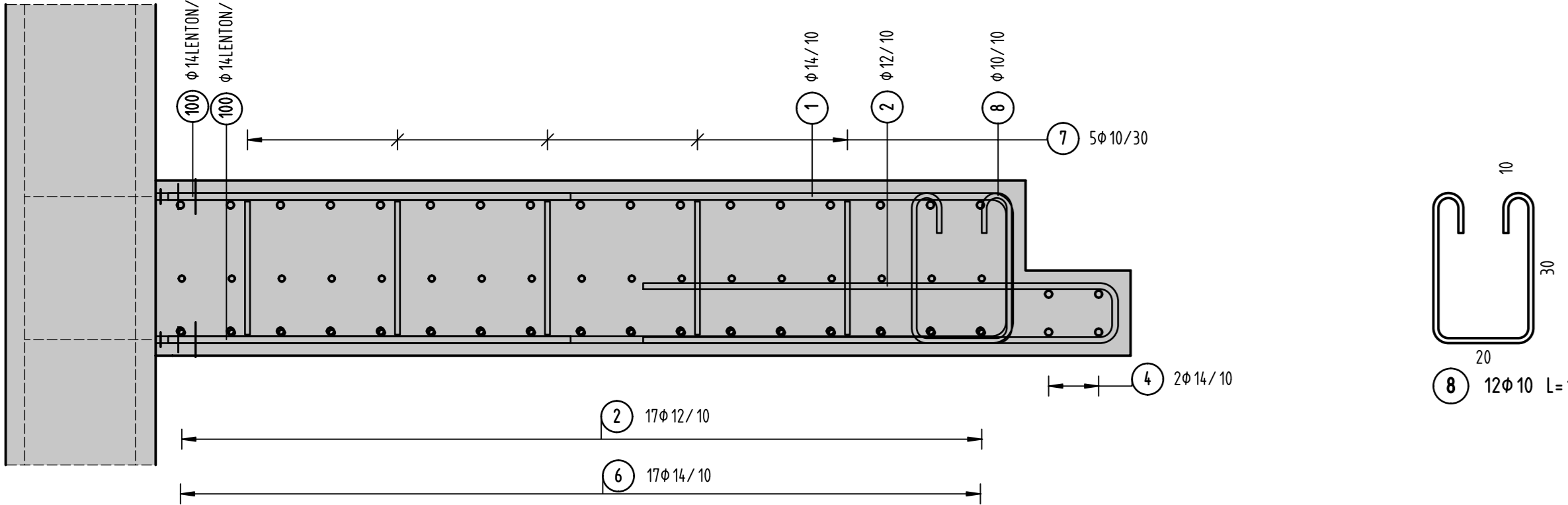
landing OK +5,684

landing slab level +1

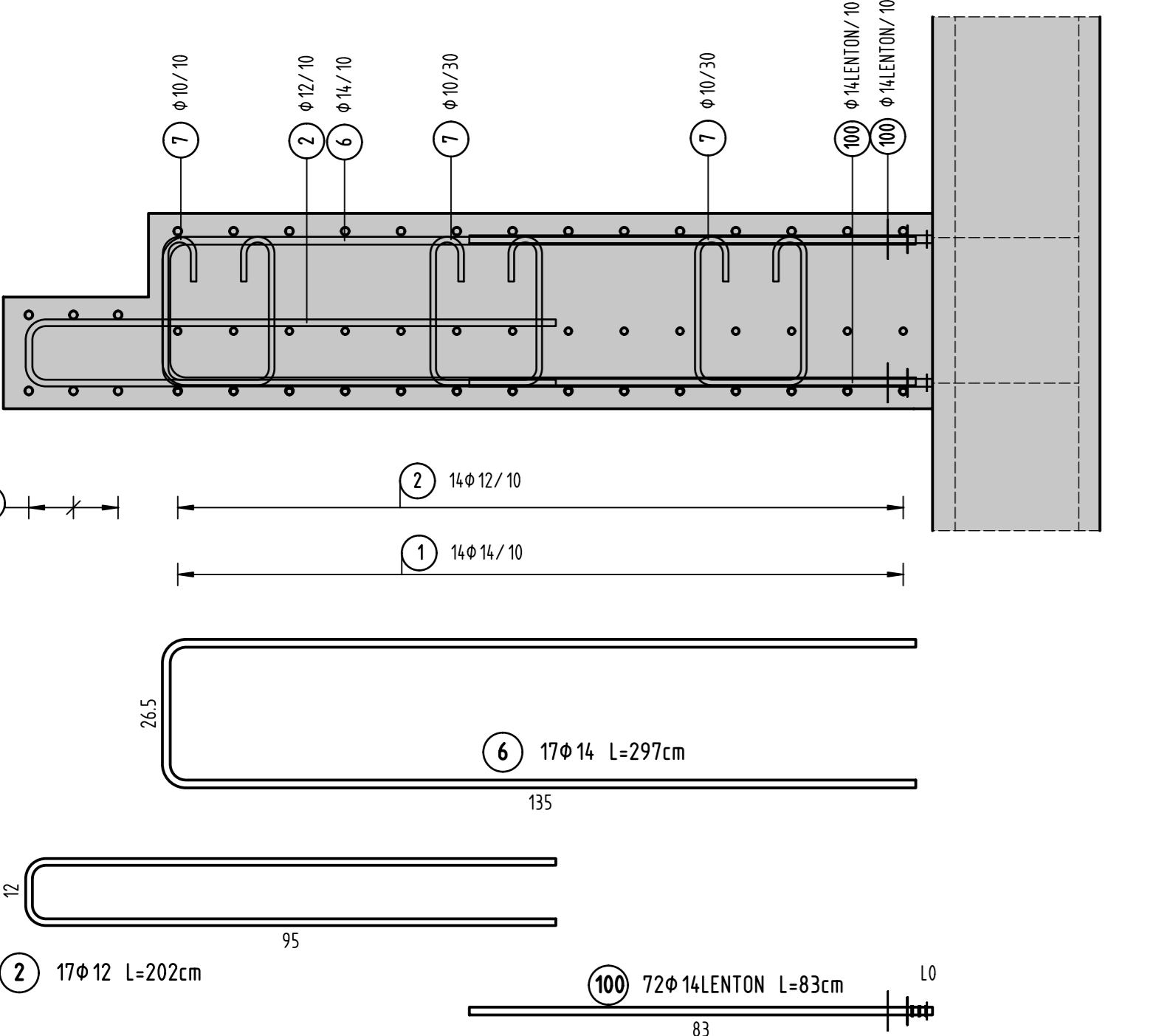
landing OK+2.41, OK+3,275



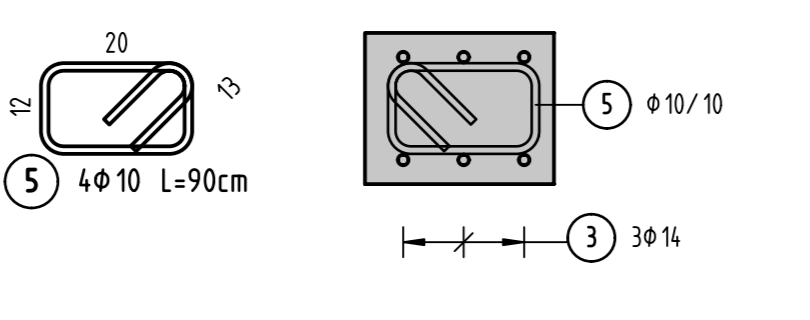
section h-h



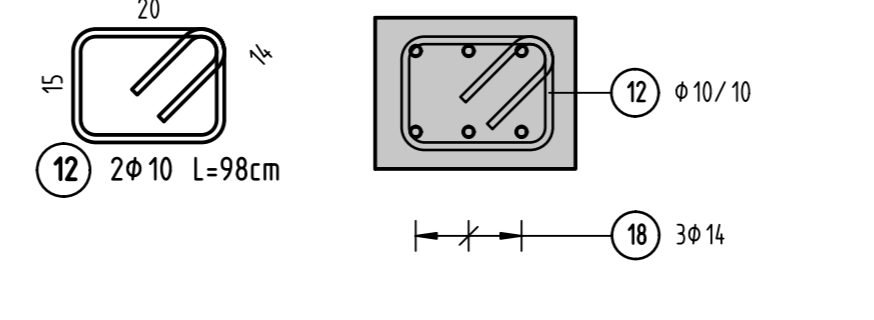
section g-g



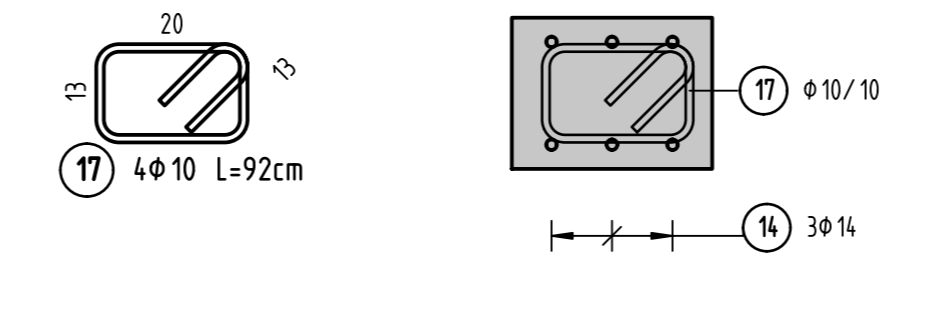
section f-f



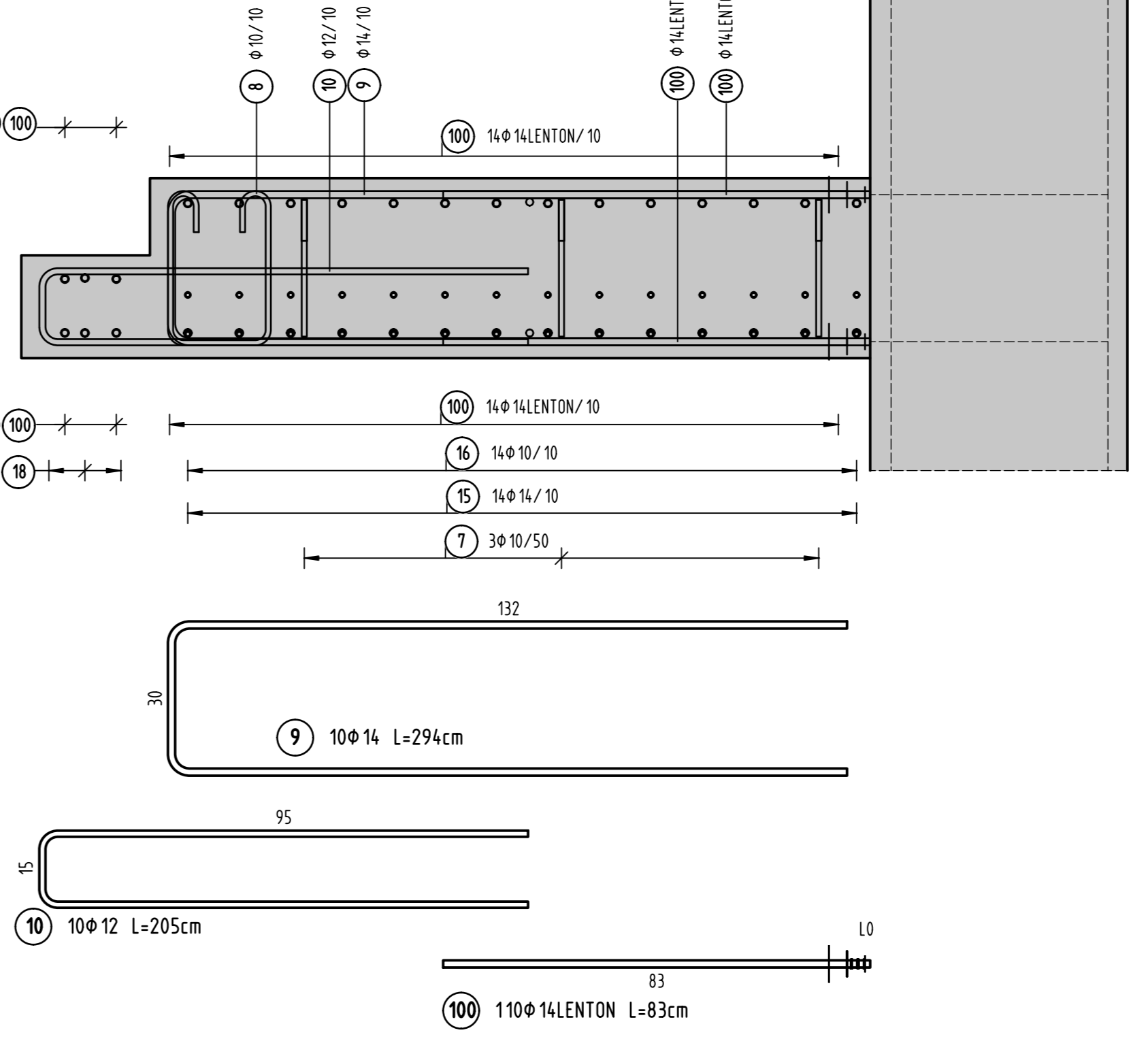
section e-e



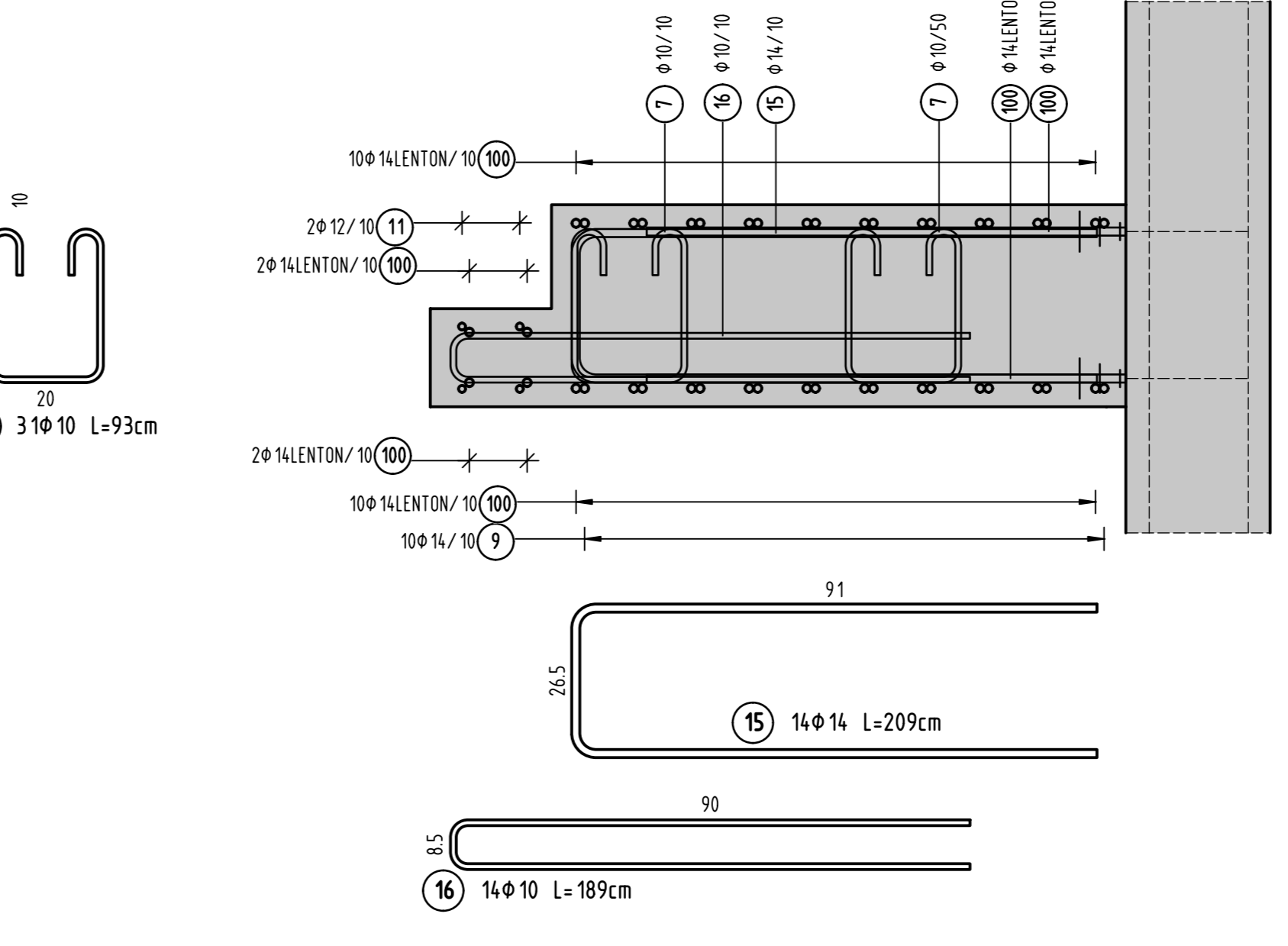
section f-f



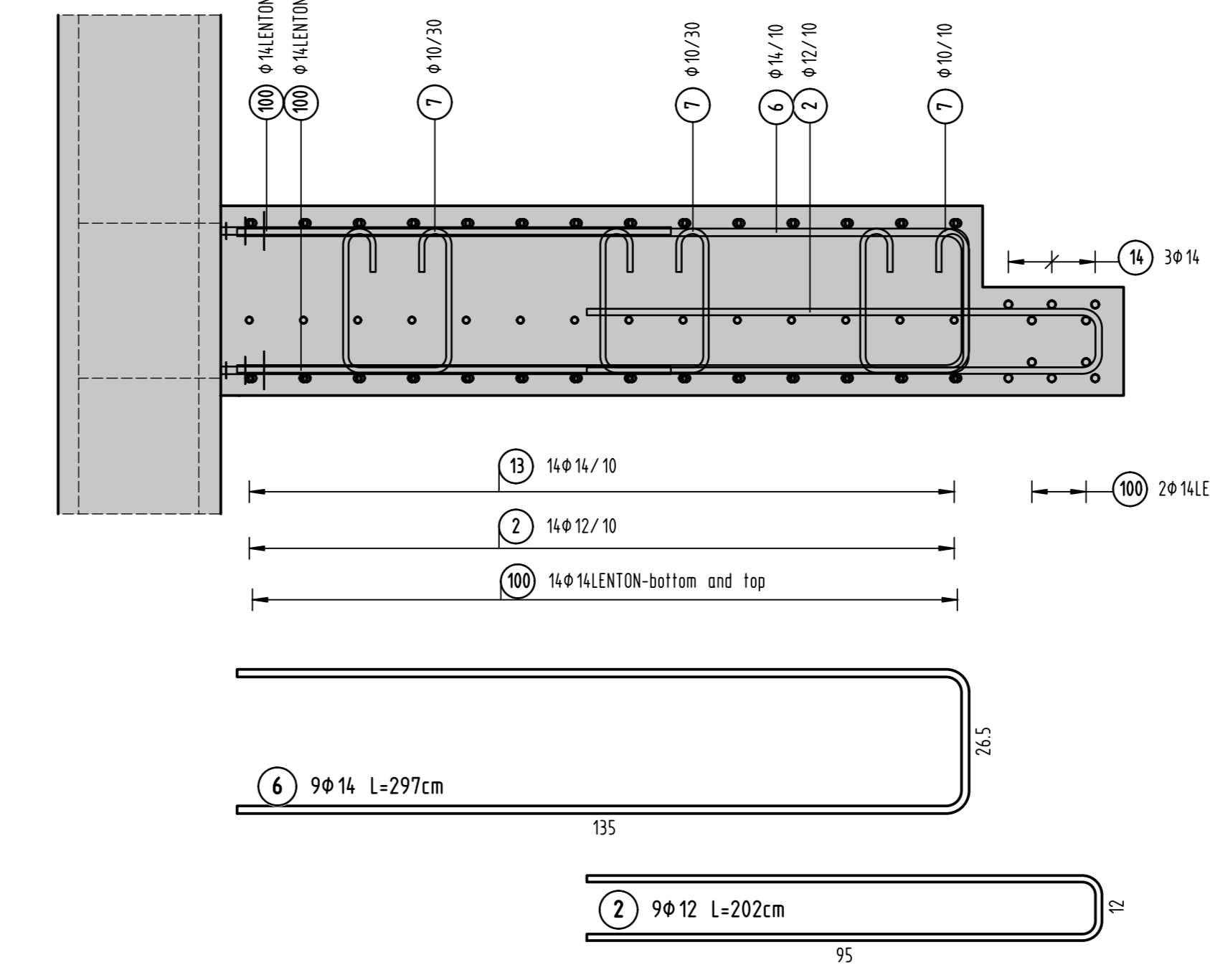
section a-a



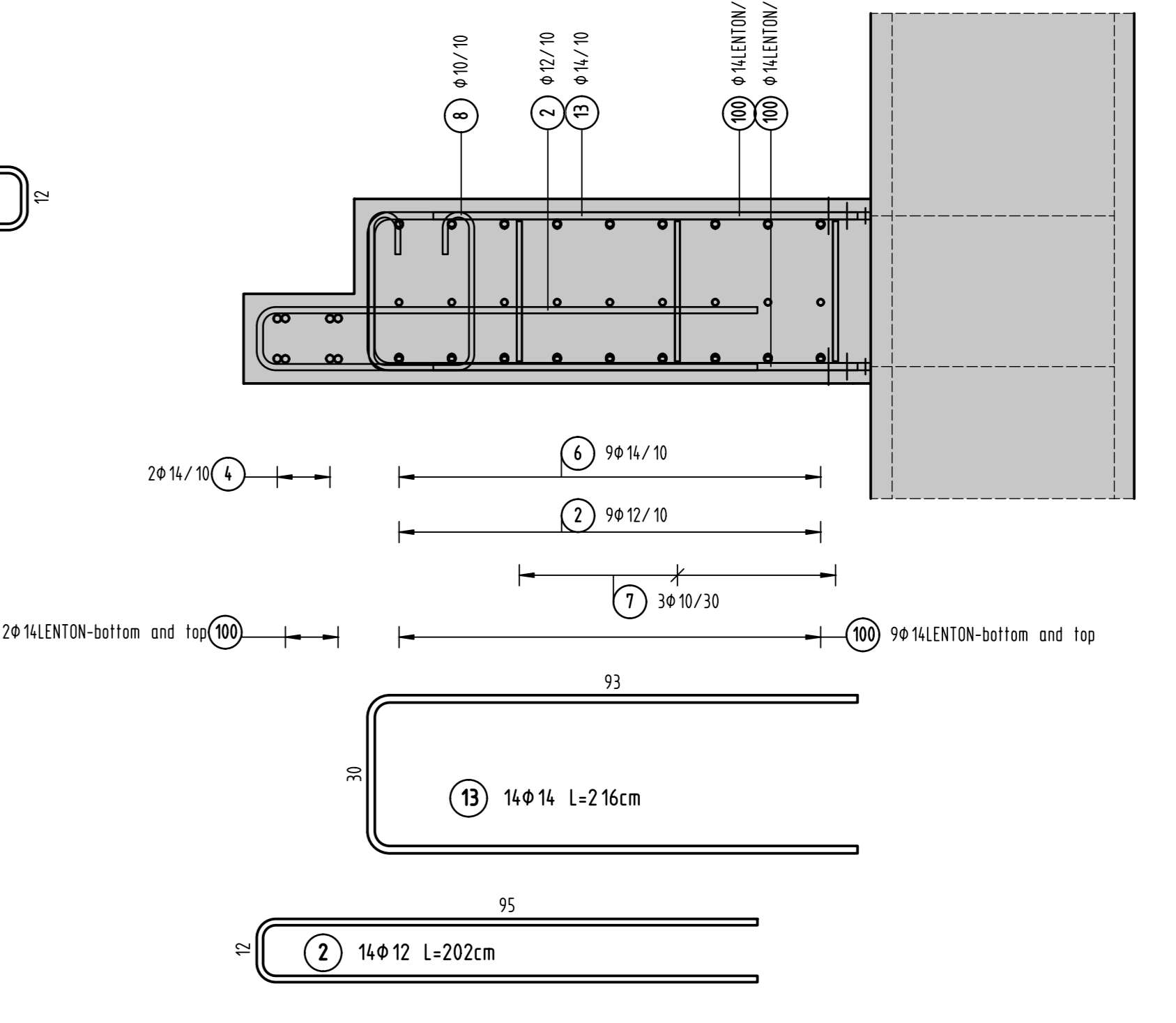
section b-b



section c-c



section d-d



LENTON Reinforcement

BAR BENDING SCHEDULE BST 500 S

pos.	qty	a [mm]	length [m]	shape (not to scale) [cm]	total length [m]	weight [kg]
100	182	14	0.83	L0	151.06	182.78
total weight [kg]:						182.78

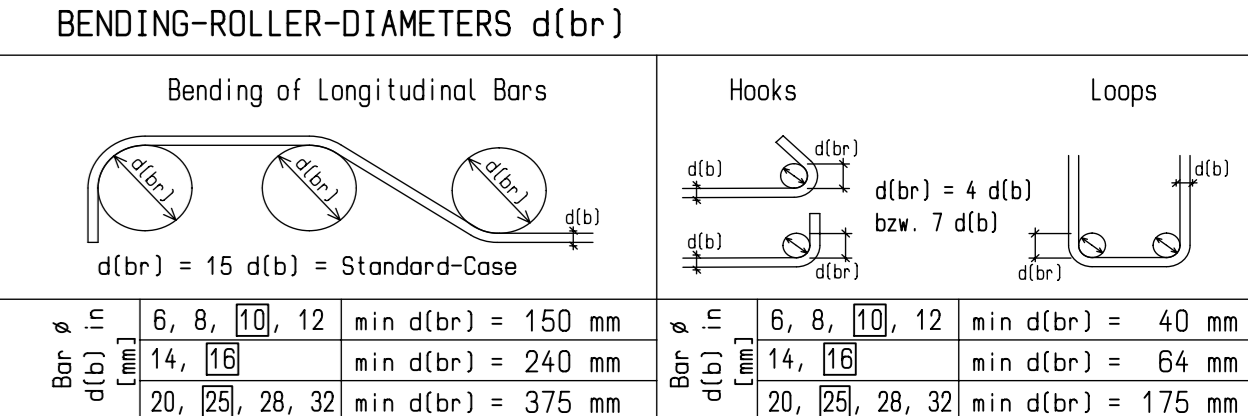
BAR BENDING SCHEDULE BST 500 S

pos.	qty	a [mm]	length [m]	shape (not to scale) [cm]	total length [m]	weight [kg]
1	14	14	3.68	95	51.52	62.34
2	54	12	2.02	95	109.08	96.86
3	3	14	4.37	211	13.11	15.86
4	4	14	3.28	160	13.16	15.92
5	4	10	0.90	20	3.60	2.22
6	28	14	2.97	155	77.22	93.44
7	58	10	0.93	10	53.94	33.28
8	34	10	1.00	26.5	34.00	20.98
9	10	14	2.94	103	29.40	35.57
10	10	12	2.05	95	20.50	18.20
11	2	12	3.28	10	6.52	5.79
12	2	10	0.98	20	1.96	1.21
13	14	14	2.16	93	30.24	36.59
14	3	14	2.83	10	8.49	10.27
15	14	14	2.09	93	29.26	35.40
16	14	10	1.89	90	26.46	16.33
17	4	10	0.92	20	3.68	2.27
18	3	14	2.76	192	8.28	10.02
total weight [kg]:						512.25

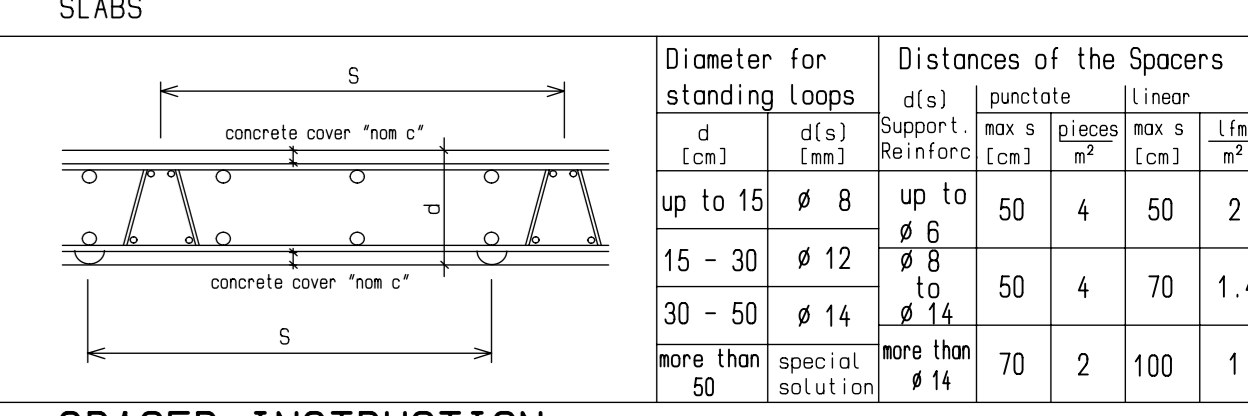
reinforcement: BST 500 S (B)  
concrete cover landing slab: top layer C<sub>top</sub> = 25mm  
bottom layer C<sub>bot</sub> = 25mm

STRUCTURAL COMPONENT	CONCRETE STRENGTH	CLASSES OF EXPOSITION	MAX. GRAIN SIZE	CONSL. STENCE	SPECIAL REQUIREMENTS
ceiling slab / ramps	C 30/37	XCS, XDS, WA	D <sub>max</sub> = 16	F3	- development of strength: slow (r = 0.3)
walls T < 40cm	C 30/37	XCI, WO	D <sub>max</sub> = 16	F3	- development of strength: slow (r = 0.3)
walls T > 40cm	C 30/37	XCI, WO	D <sub>max</sub> = 16	F3	- development of strength: slow (r = 0.3)
columns	C 30/37	XCI, WO	D <sub>max</sub> = 16	F3	- development of strength: slow (r = 0.3)

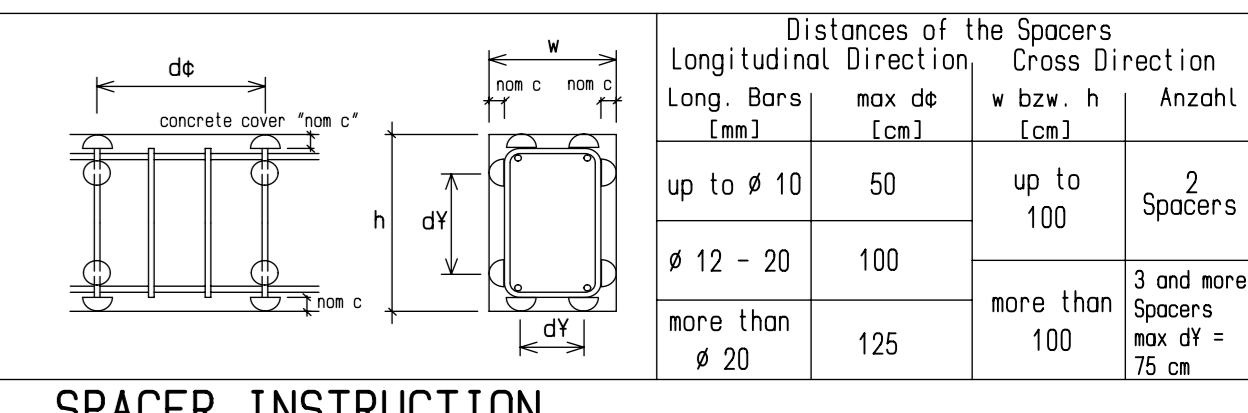
BENDING INSTRUCTION



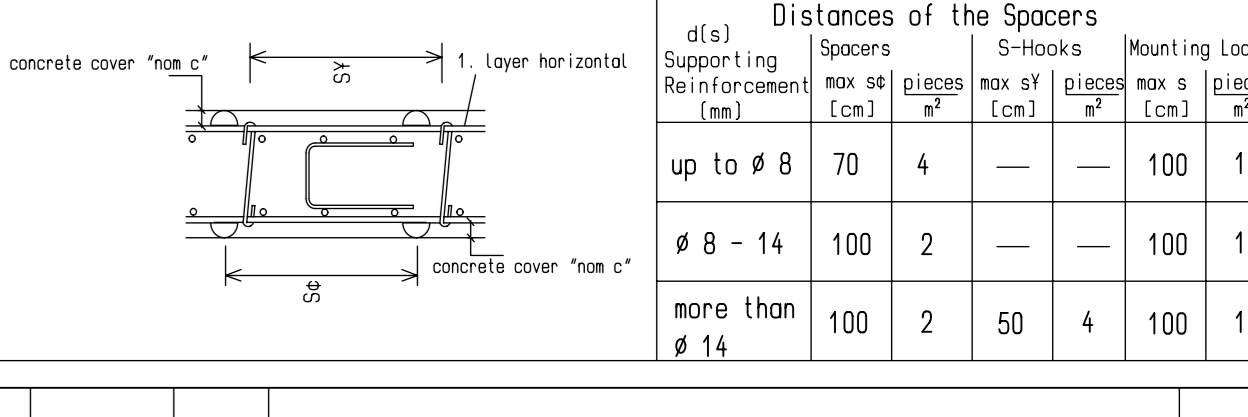
SPACER INSTRUCTION



SPACER INSTRUCTION



SPACER INSTRUCTION



work phase: Reinforcement Drawing  
drawing contents: Modern Building Level +1  
landing slab staircase TH07 MB2

